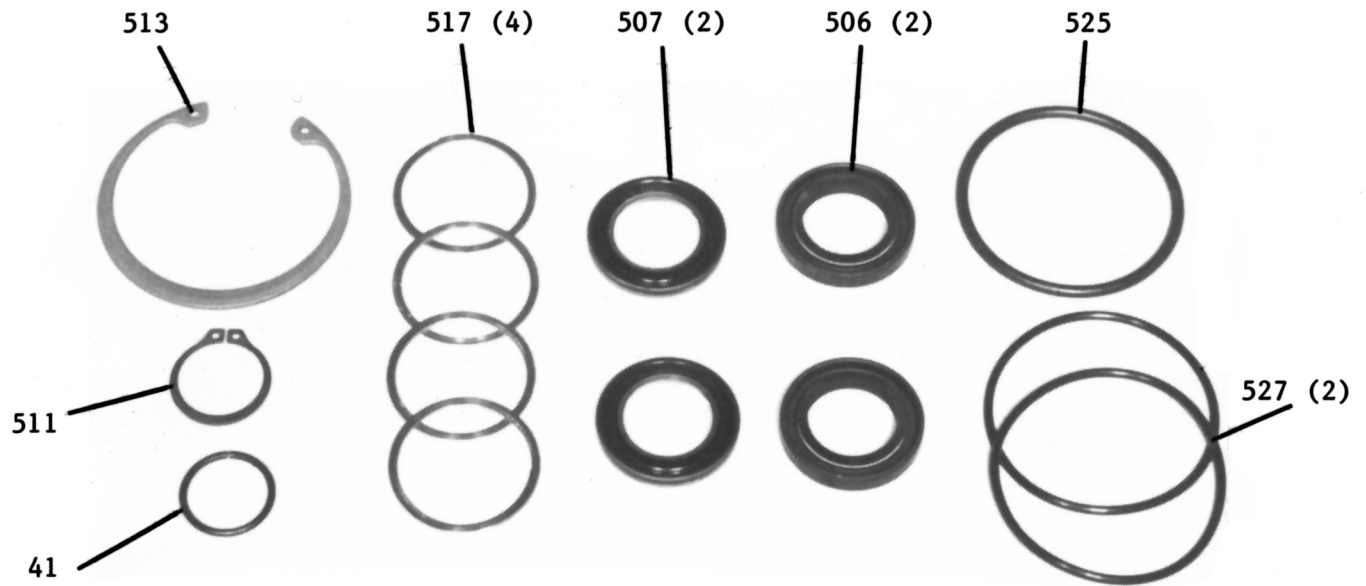
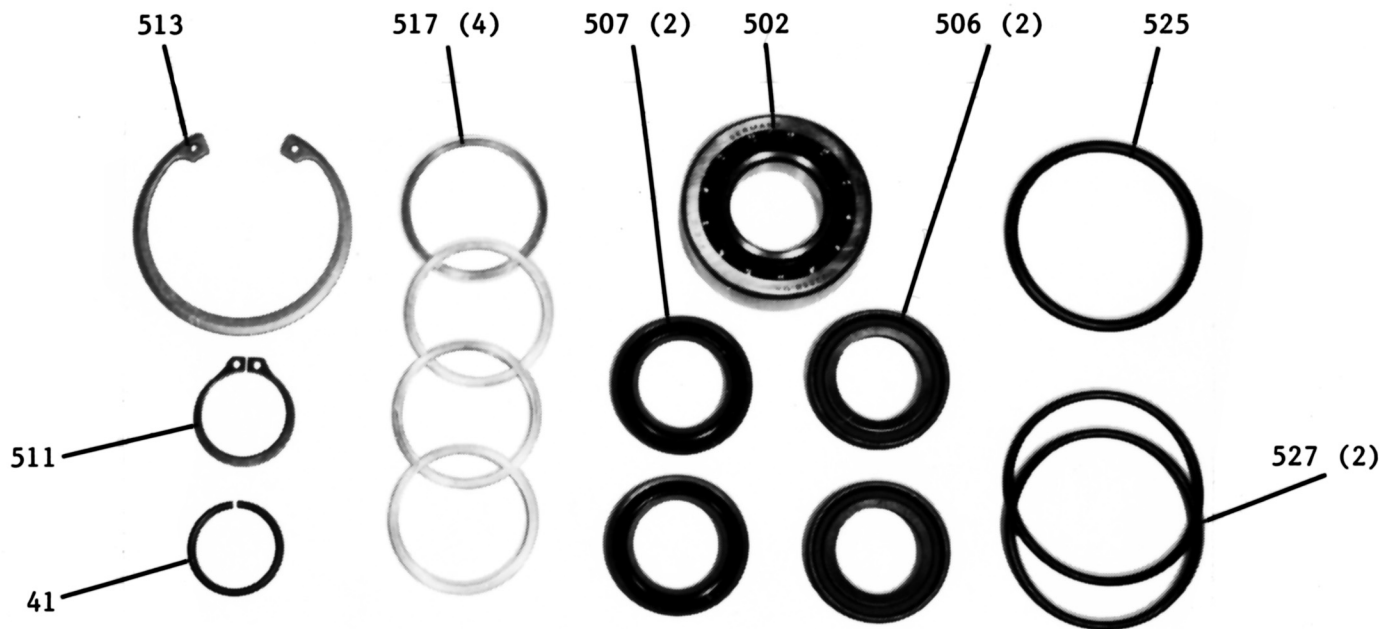


LARGE SERIES

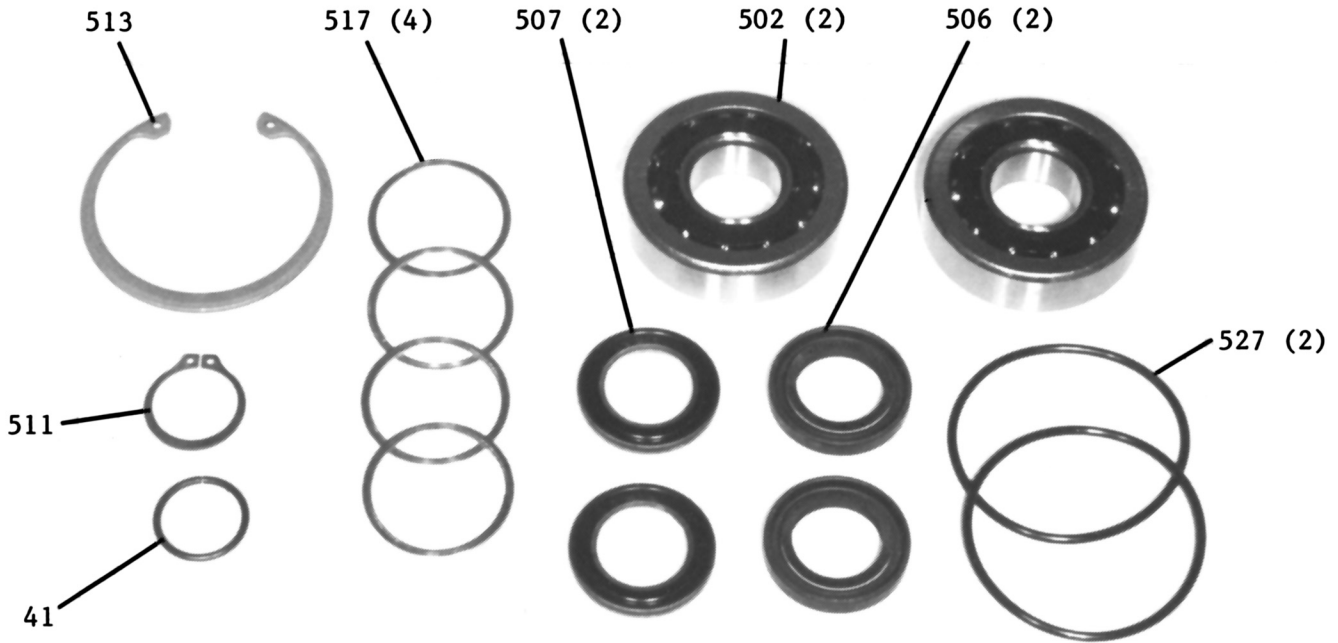


SEAL, SNAP & "O" RING KIT 462

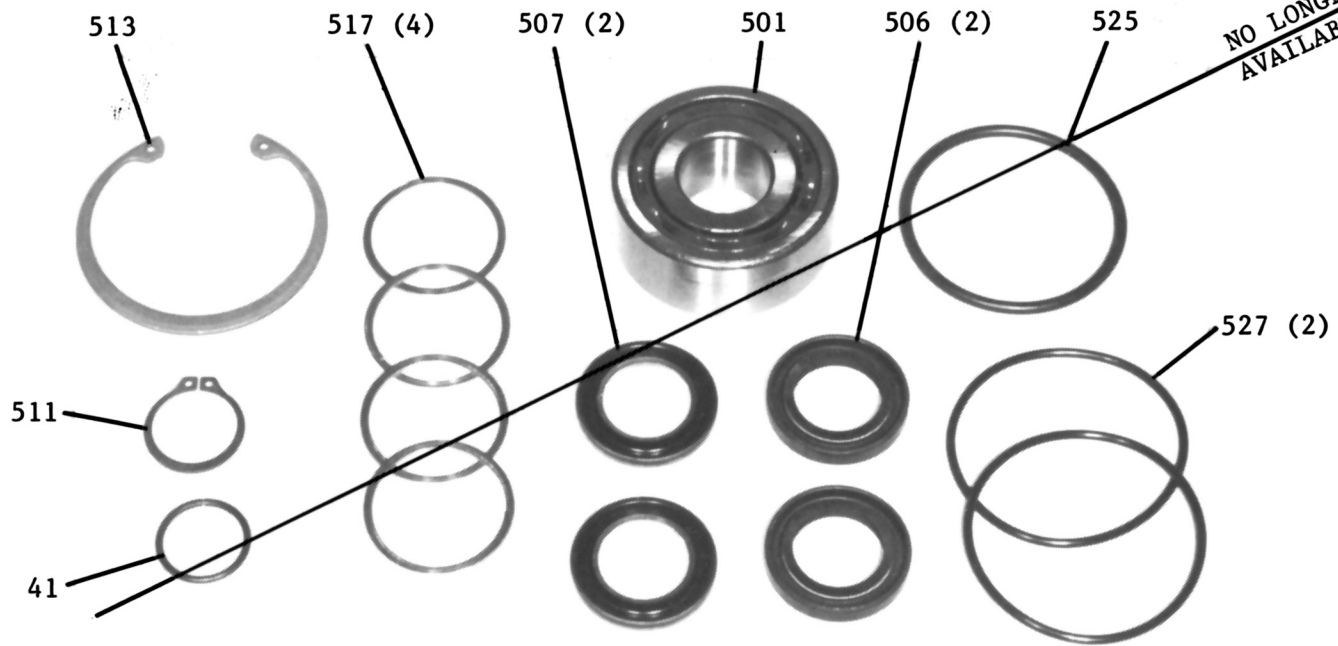


BEARING, SEAL, SNAP & "O" RING KIT 462.1

LARGE SERIES

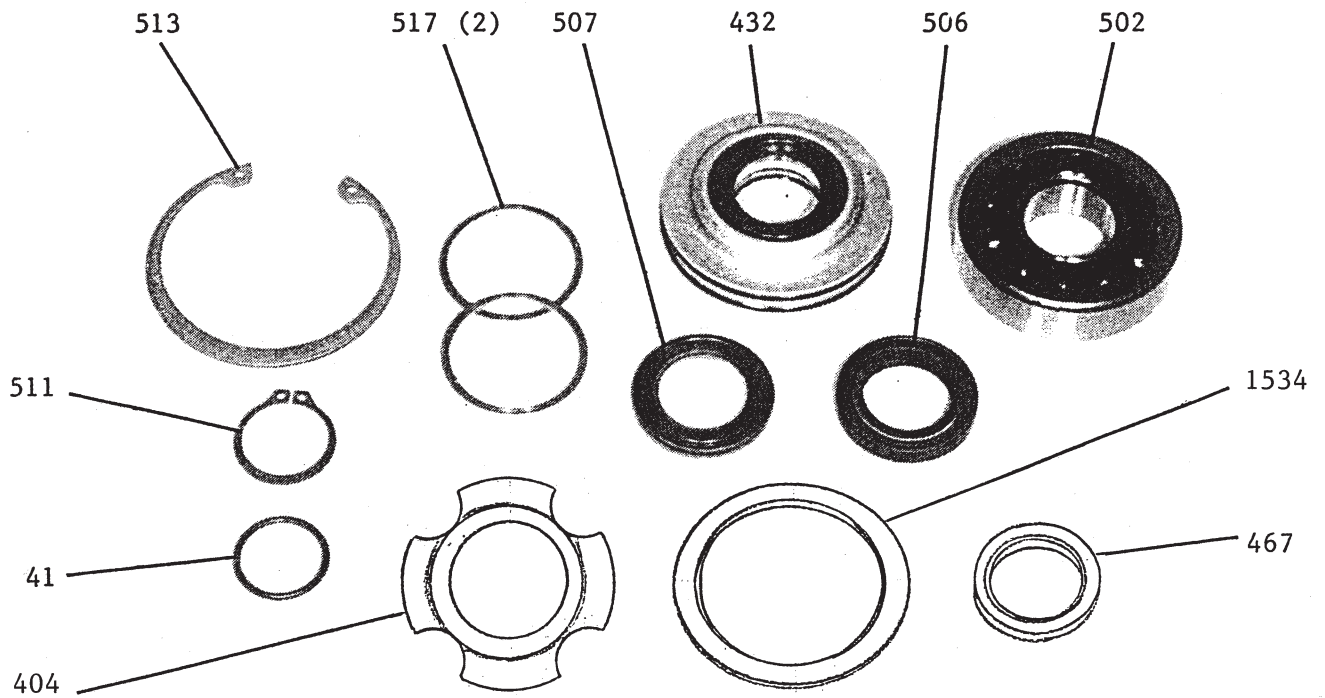


BEARING, SEAL, SNAP & "O" RING KIT 462.2

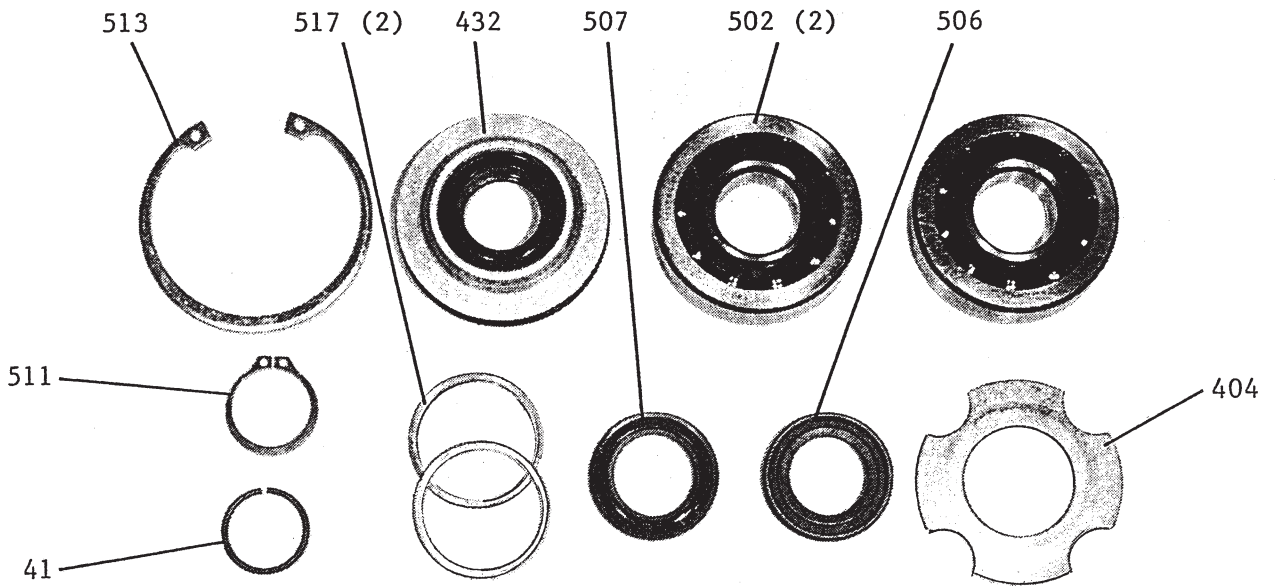


(MODEL L50 ONLY)
BEARING, SEAL, SNAP & "O" RING KIT 146

LARGE SERIES



BACKFIT KIT (5305 BRG TO 7305 BRG) 468



BEARING, SEAL, SNAP & "O" RING KIT 429