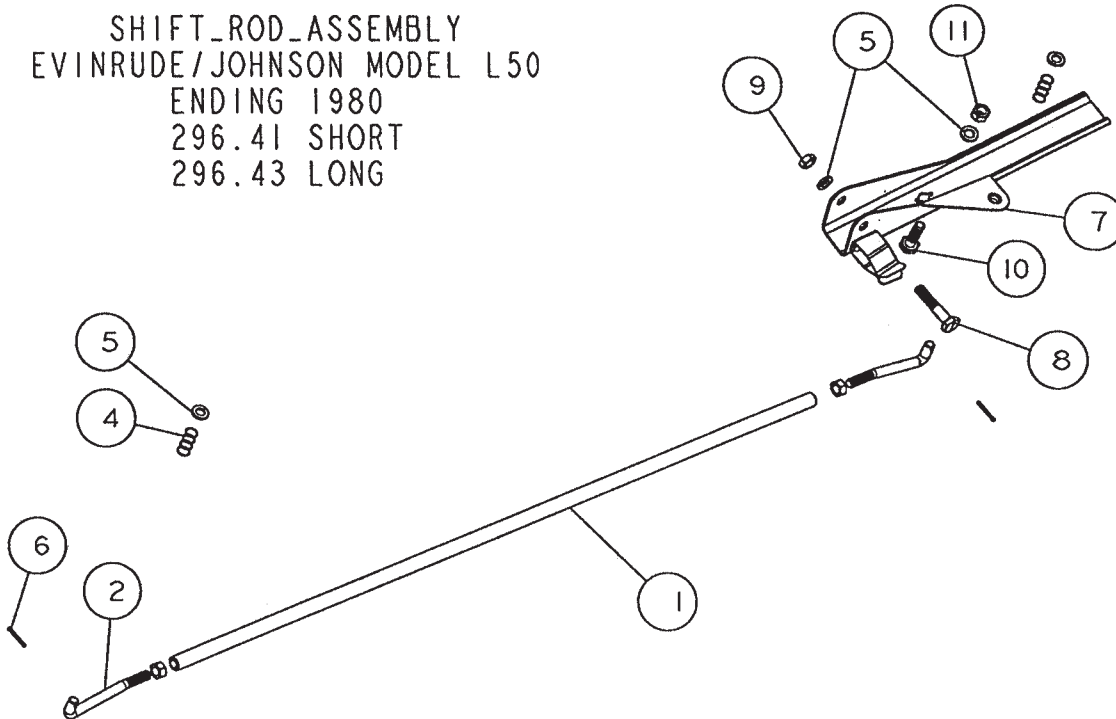


SHIFT_ROD_ASSEMBLY
 EVINRUDE/JOHNSON MODEL L50
 ENDING 1980
 296.41 SHORT
 296.43 LONG



REF	QTY	PART NO	DESCRIPTION
1	1	290	SHIFT ROD L50,UL3,AE 21 1/2 SHORT
1	1	291	SHIFT ROD L50L 25 1/2 LONG
2	2	24	ROD END FORMED
3	2	622	NUT HEX 1/4-28
4	2	1164	SPRING-ROD END
5	4	635	1/4 WASHER AN960C416
6	2	645	COTTER PIN 1/16 X 1/2
7	1	285	SHIFT HANDLE ASSY L50
8	1	585	BOLT HEX HD 1/4-20 X 1 1/4
9	1	623	NYLOC 1/4-20
10	1	583	BOLT HEX HD 1/4-28 X 1
11	1	624	NYLOC 1/4-28

7.AUG.97