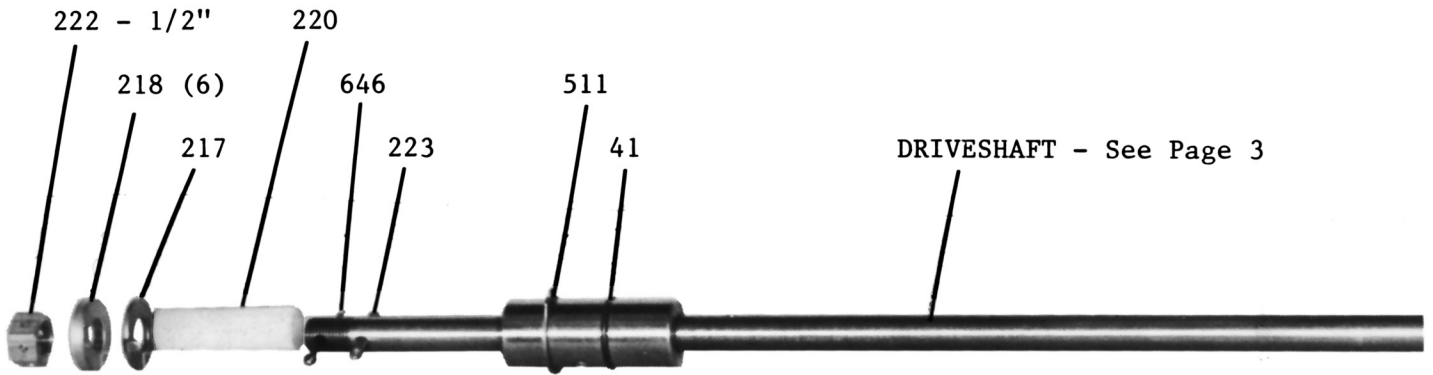
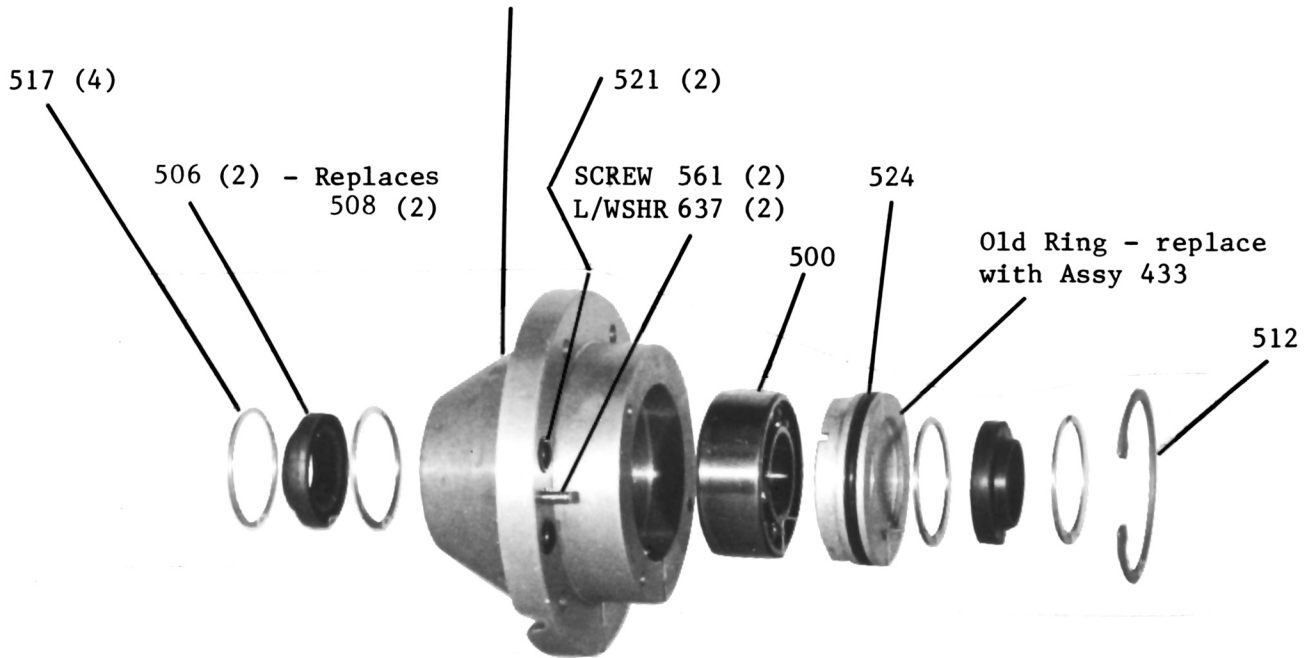


SMALL SERIES



BEARING CARRIER (see table below)



BEARING CARRIERS

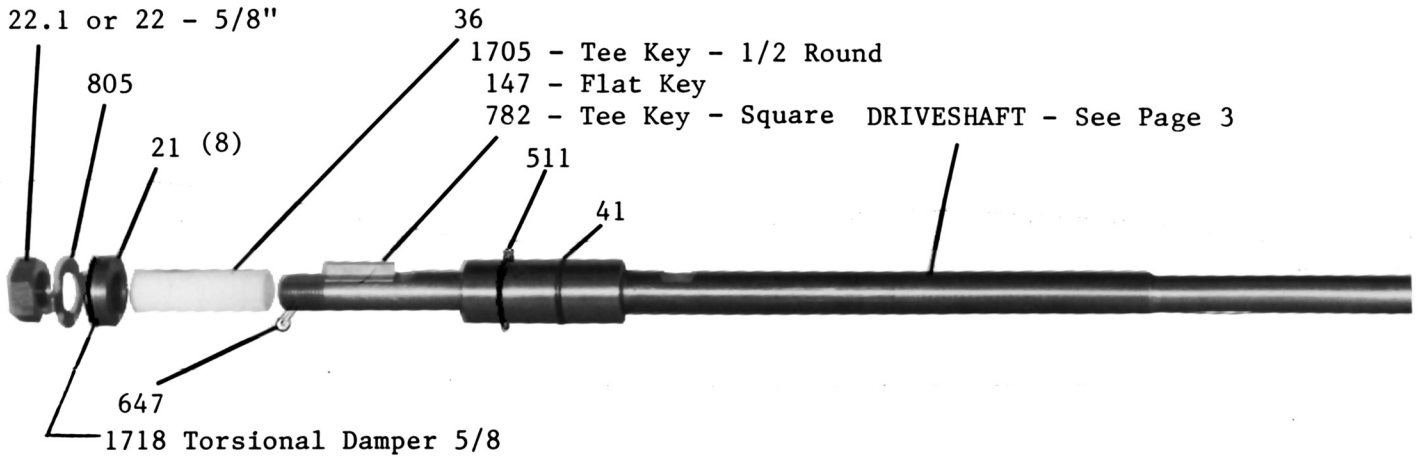
<u>MODEL</u>	<u>Carrier W/Seals &amp; "O" Rings</u>
H	208
K	345

—SYSTEM TYPE—

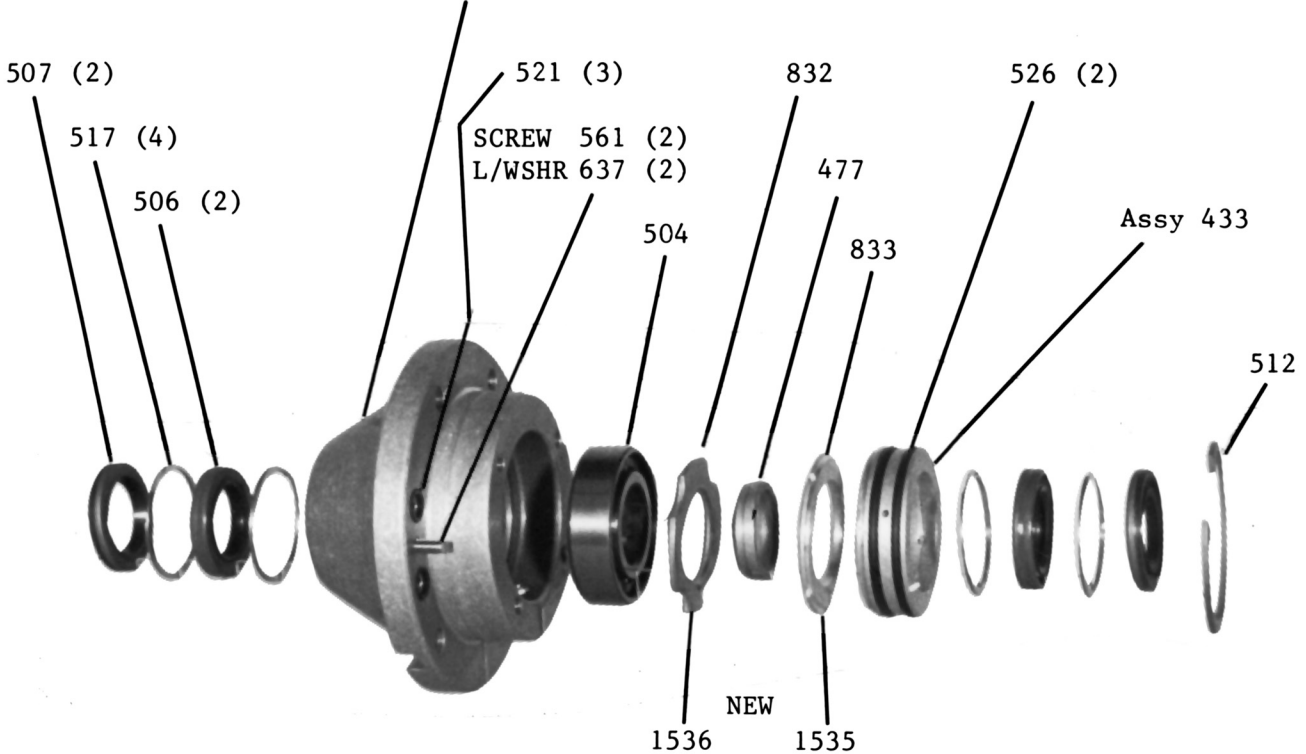
Non-vented Single Seals  
Double Row Ball Bearing  
(NOT CURRENT PRODUCTION)

MODELS H, K

SMALL SERIES



BEARING CARRIER (see table below)



BEARING CARRIERS

MODEL	Carrier W/Seals & "O" Rings
H79	413
V	813
AE	1166
H	208

— SYSTEM TYPE —

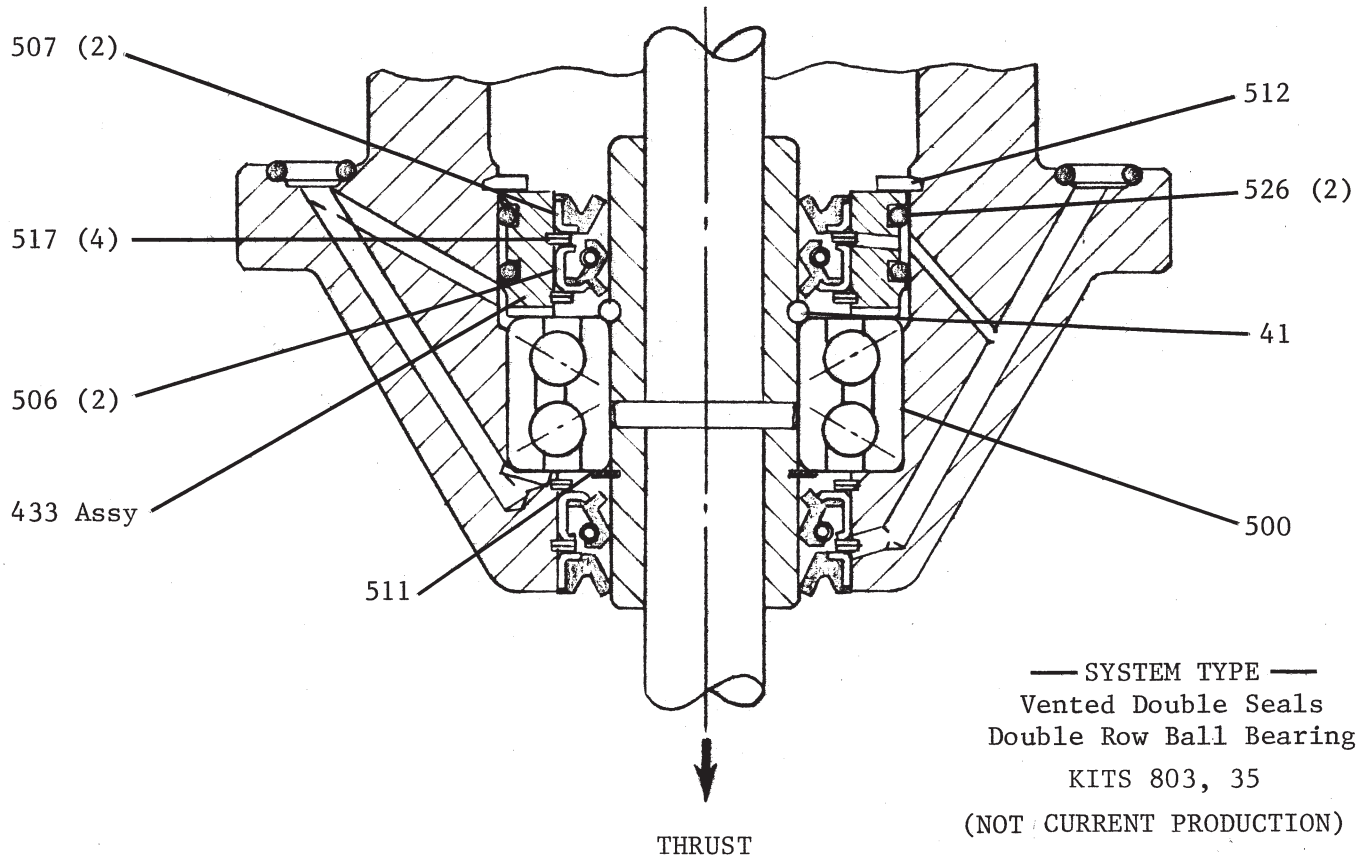
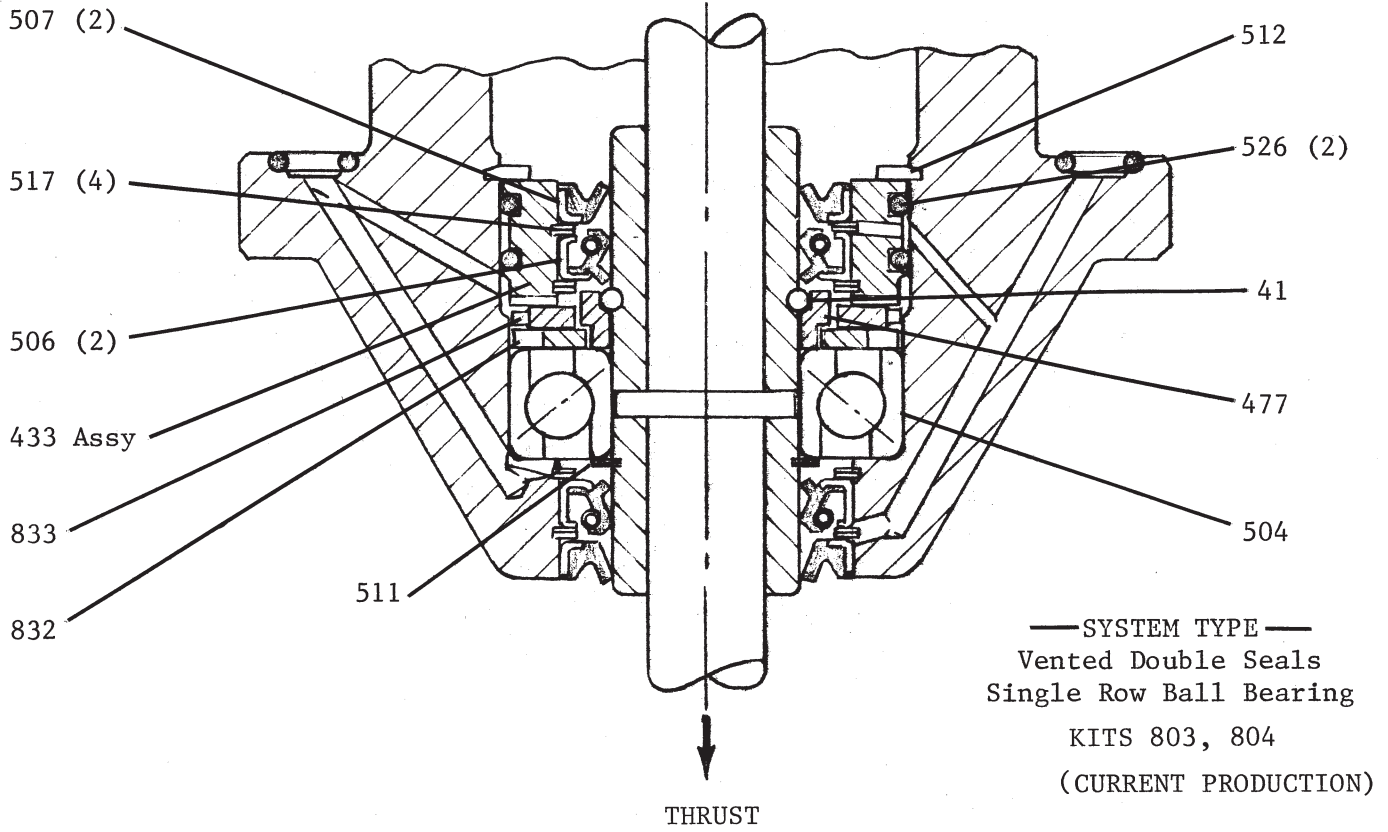
Vented Double Seals  
Single Row Ball Bearing  
(CURRENT PRODUCTION)

CURRENT PRODUCTION

uses  
Vented Double Seals  
Single Row Ball Bearing

MODELS H79, V, H, AE

SMALL SERIES



SMALL SERIES

