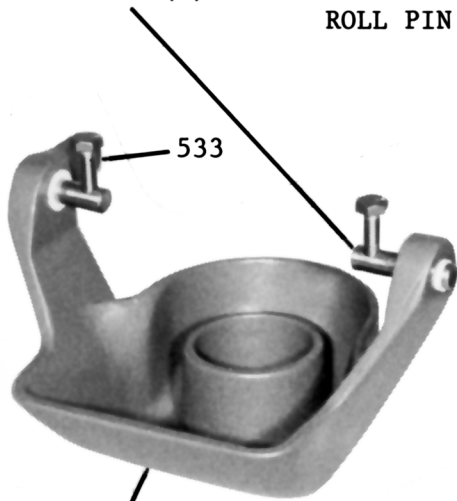


SMALL SERIES

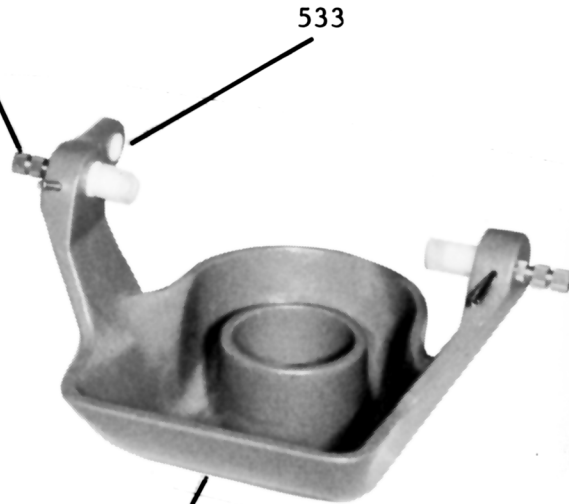
PIN 821 (2)
 NYLINER 535 (2)
 BOLT 574 (2)

PIN 12 (2)
 RUBBER SLV 37 (2)
 NYLINER 534 (2)
 ROLL PIN 618 (2)



BEFORE CAM GATE

REVERSE GATE
 Pivot bushings in gate
 See Table Below



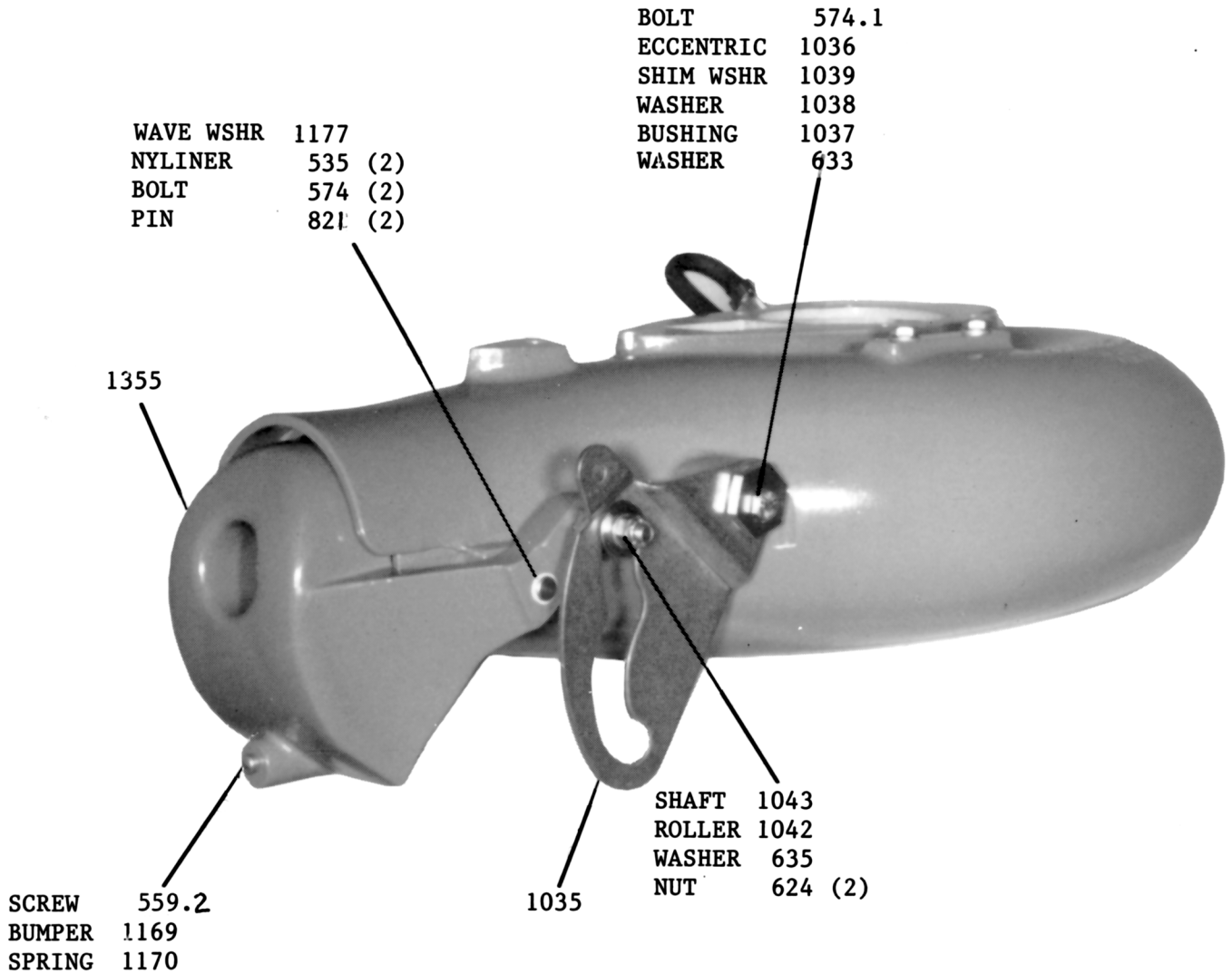
REVERSE GATE
 Pivot bushings in main hsg
 See Table Below

<u>MODEL</u>	<u>GATE ONLY</u>	<u>GATE ASSY</u>
H	825	834
H79		
V		
AE		

<u>MODEL</u>	<u>GATE ONLY</u>	<u>GATE ASSY</u>
H	210	228
H79		
V		
K	237	338

MODELS H, H79, K, V, AE

SMALL SERIES



GATE ASSY w/roller 1356
 BACKFIT KIT 1222.24 (cannot backfit jet drives with 5/16 gate pivot pins.)
 CAM OPERATED REVERSE GATE

See pages 14-15 for related shift rod assemblies

MODELS AE, V REMOTE CONTROL ONLY